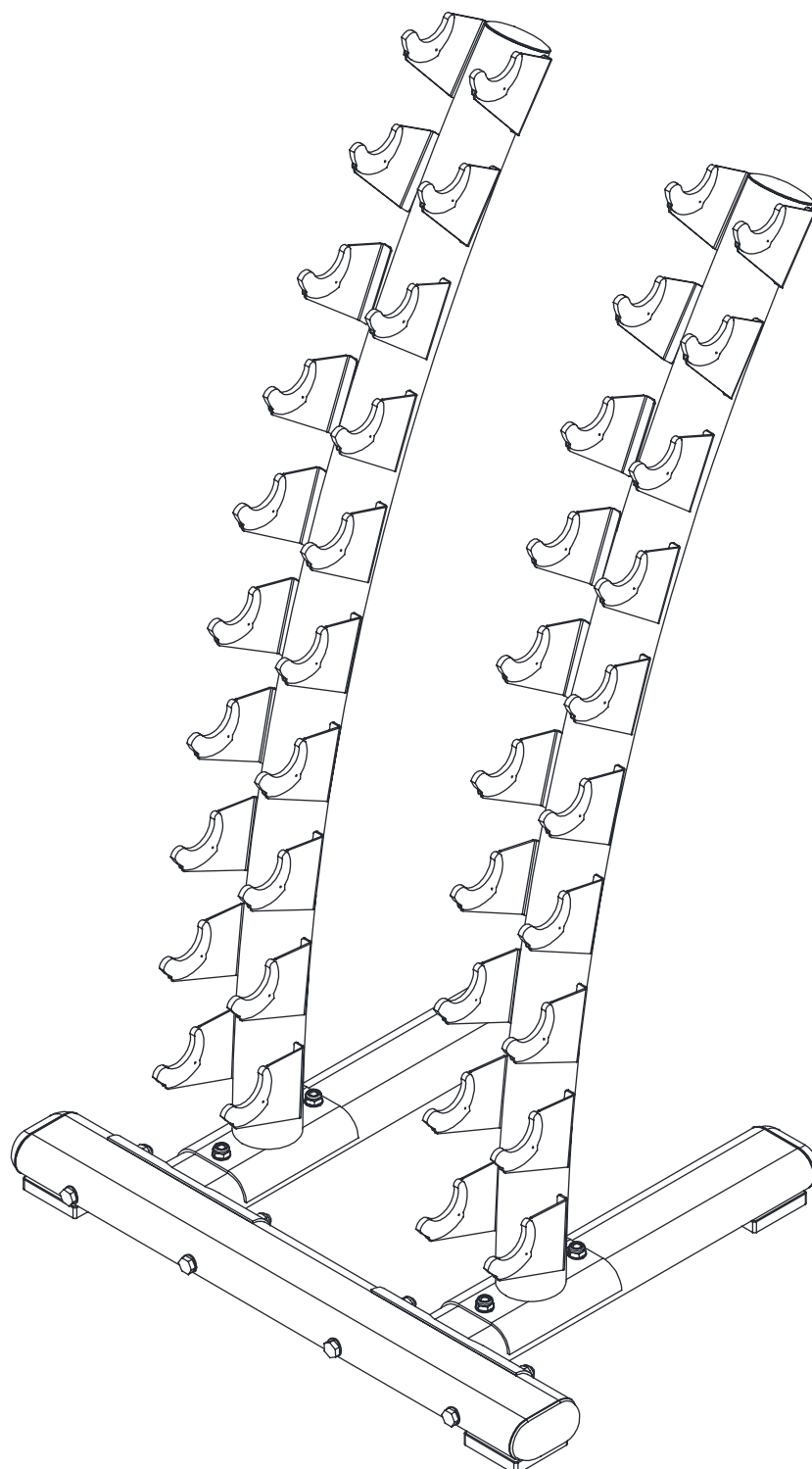
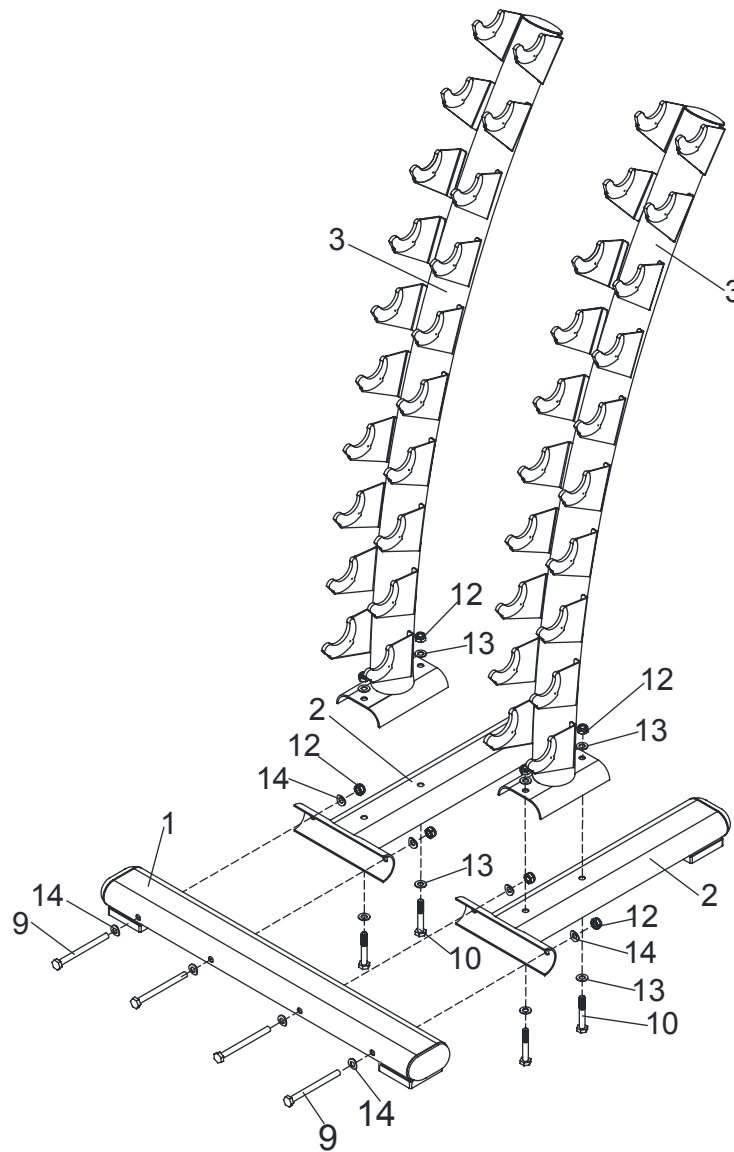


virtuafit

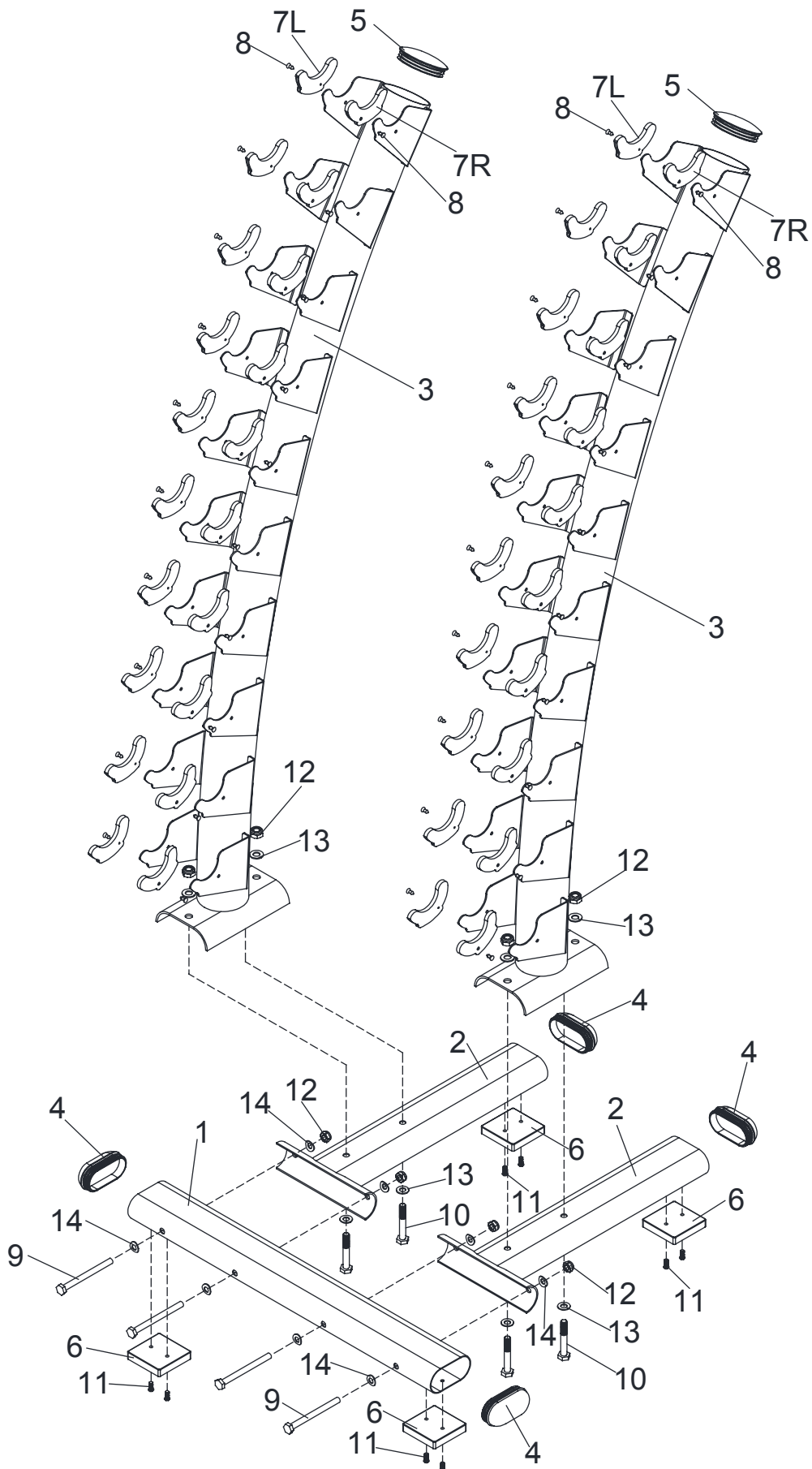
Upright Dumbbell Rack

User manual





- Attach the two dumbbell brackets (3) to the two rear feet (2), using four M10X65 mm hex bolts (10), eight M10 washers (13) and four M10 nylon nuts (12).
- Attach the two rear feet (2) to the front base (1), using four M10X120 mm hexagon bolts (9), eight M10 locking rings(14) and four M10 nylon nuts (12).



| No. | Description | Quantity |
|-----|--------------------------|----------|
| 1. | Front Base | 1 |
| 2. | Rear feet | 2 |
| 3. | Upright Dumbbell Support | 2 |
| 4. | 50X100 mm Oval End Plug | 4 |
| 5. | 76 mm Round End Plug | 2 |
| 6. | Pedestal | 4 |
| 7L. | Left Dumbbell Support | 20 |
| 7R. | Right Dumbbell Support | 20 |
| 8. | Plastic Finish | 40 |
| 9. | M10X120 Hex Bolt | 4 |
| 10. | M10X65 Hex Bolt | 4 |
| 11. | M6X20 Bolt | 8 |
| 12. | M10 Nylon Nut | 8 |
| 13. | M10 Washer | 8 |
| 14. | M10 Spring Washer | 8 |